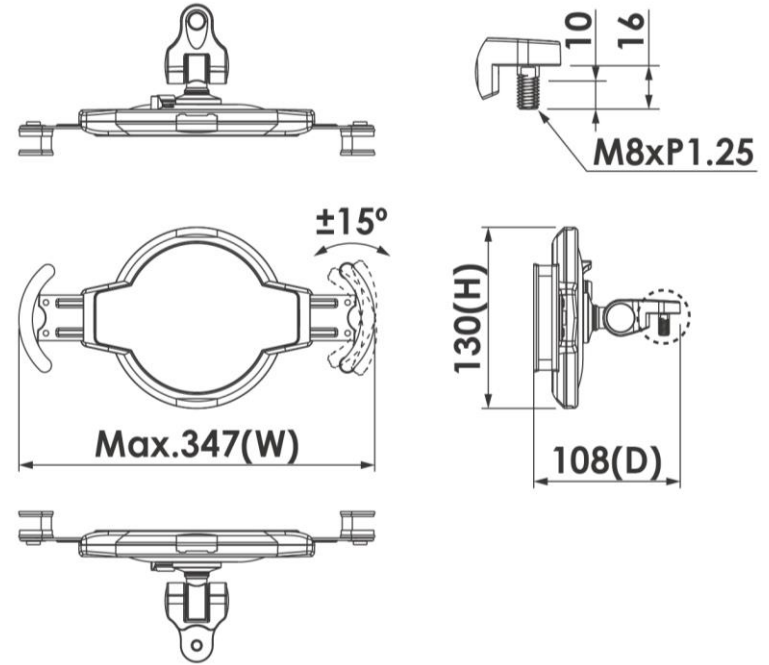


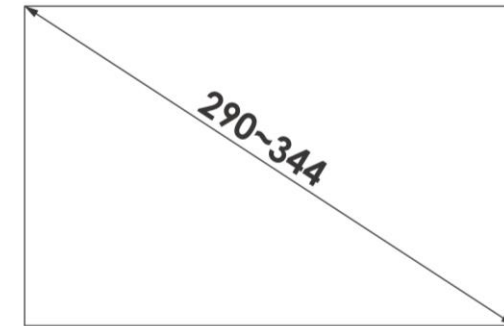


**Highgrade**  
<http://www.highgrade.com.tw>

**Model Name:AOH100**  
**Issus Date:2024/09/24(A)**



**Tablet Size**



**Max.2.5kg**



Complete System		
Net Weight	0.49 kg	
Dimension(W*H*D)	347 x 130 x 108 mm ( 13.66" x 5.12" x 4.25" )	
Material	Steel/Aluminum Alloy/Plastic	
Display System		
Hinge Module	Swivel(Hinge)	+/-90°
	Tilt(Hinge)	+/-90°
	Pivot(Hinge)	360°
Display Support	Mounting Pattern(Diagonal)	290~344 mm(11.42"~13.54")
	Suggested Tablet Size	9"~11"
	Support Max. Weight	Max. 2.5kg (5.51lbs)
	Thickness	5.5~10.4 mm(0.22"~0.41")
connect	M8	