



**Highgrade**  
<http://www.highgrade.com.tw>

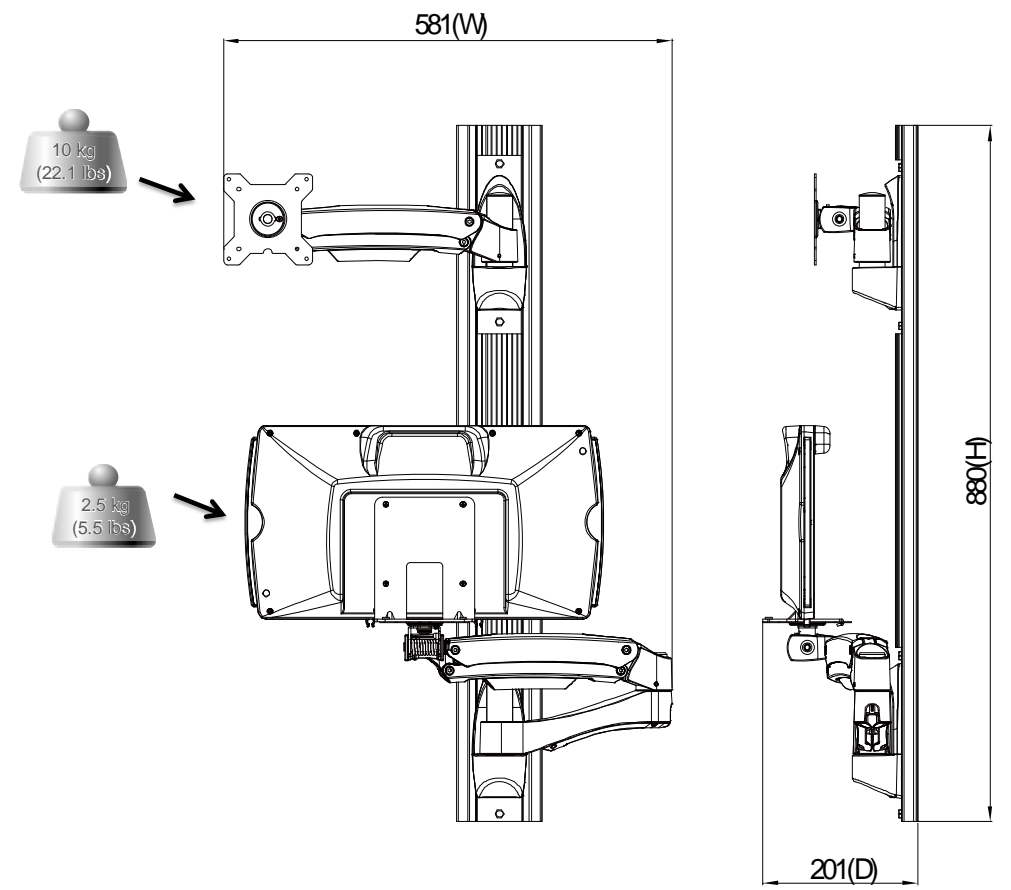
**Model Name:W8812**  
**Issus Date:2016/01/30(D)**

**Complete System**

Net Weight	10.10 kg (22.27lbs)
Dimension(W*H*D)	581 x 880 x 201 mm ( 22.87" x 34.65" x 7.91" )
Screw Type	M4
Material	Steel/Aluminum Alloy/Plastic

**Display System**

Hinge Module	Swivel(Hinge)	+/-90°
	Tilt(Hinge)	-20° ~ +90°
	Tilt(Keyboard)	0 ~ 90°
	Pivot	360°
	User Torque Adjust	Available
Display Support	Mounting Pattern	100x100 / 75x75 mm
	Display Type	Singal Monitor
	Panel Size Support	≤24"
	Support Weight (Per Arm)	10kg(22.1lbs)
	Support Weight (Keyboard)	2.5kg(5.5lbs)
Height Adjust	Height Adjustment Range (Per Arm)	315 mm (12.40")
	Tension Torque Adjust	Yes
	Tilt (Per Arm)	- 30° ~ + 65°
Max.Working Space	449 x 207 mm ( 17.68" X 8.15" ) for Keyboard Tray	
Extended Arm Provided	1 / 2	
Cable Management	Yes	



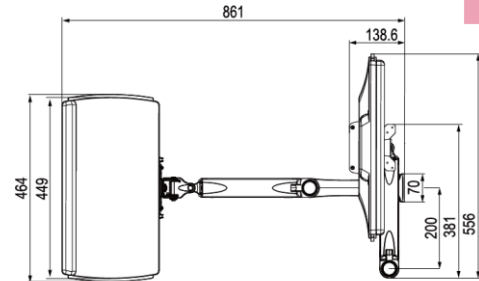
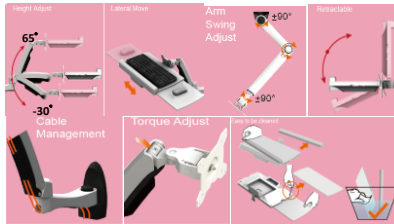
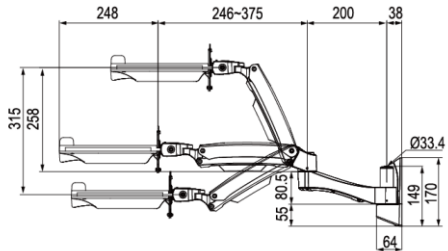
Screen	VESA	Tilt	Swivel	Rotate	Cable Management	Height Adjust	Torque Adjust



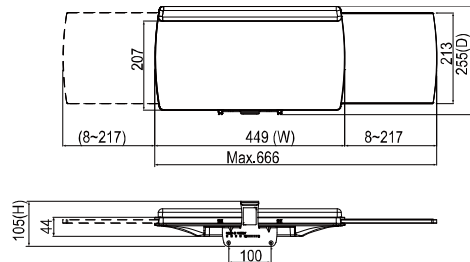
**Highgrade**  
<http://www.highgrade.com.tw>

**Model Name:W8812**  
**Issus Date:2016/01/30(D)**

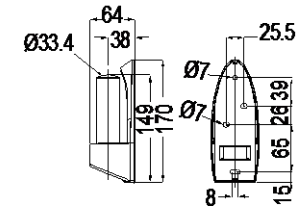
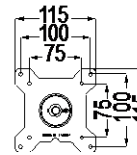
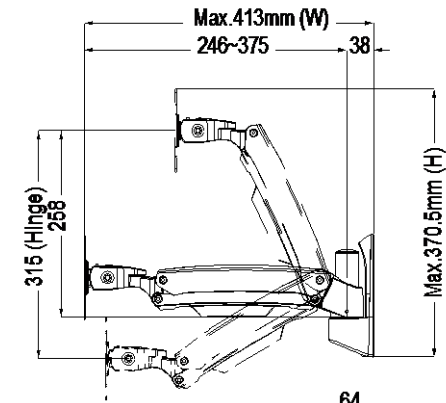
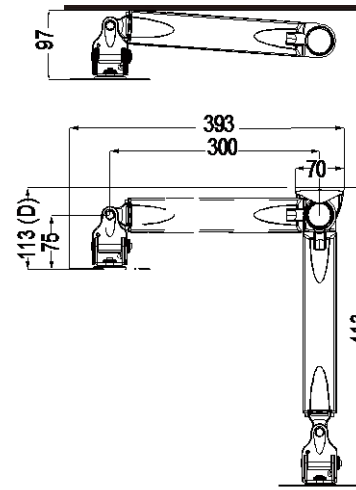
**Keyboard ARM**



**Keyboard Tray**



**Monitor ARM**



**Mouse Holder**

