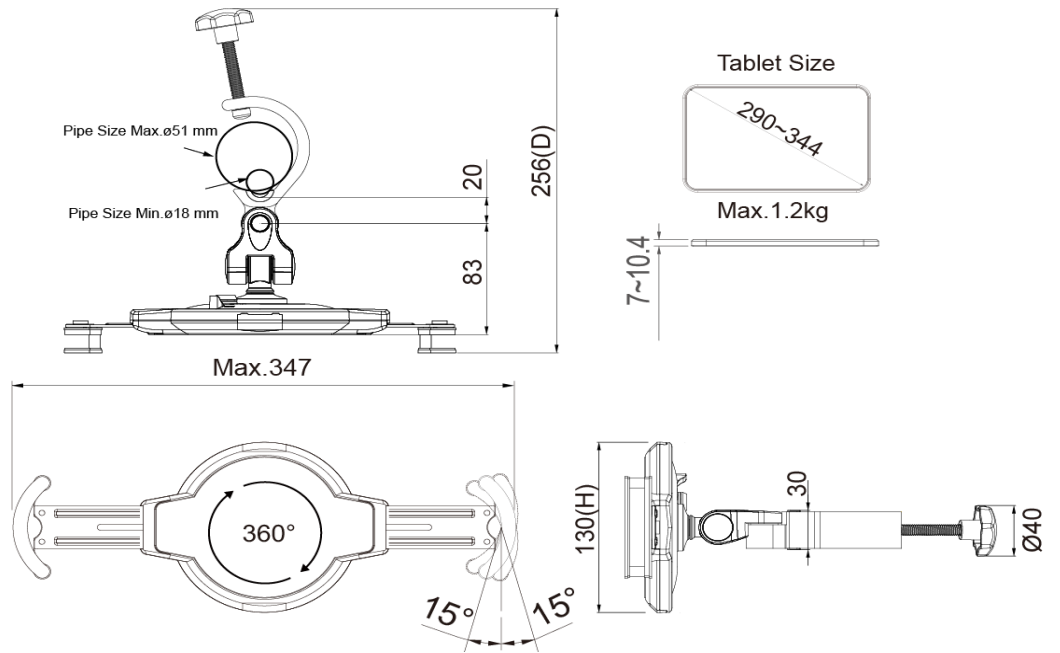




**Highgrade**  
<http://www.highgrade.com.tw>

**Model Name: APH100**  
**Issus Date: 2020/06/11(A)**



Complete System		
Net Weight	0.5 kg	
Dimension(W*H*D)	115 x 115 x 256 mm ( 4.53" x 4.53" x 10.08" )	
Material	Steel/Aluminum Alloy/Plastic	
Display System		
Hinge Module	Swivel(Hinge)	+/-90°
	Tilt(Hinge)	-90° ~ +90°
	Pivot	360°
Display Support	Mounting Pattern(Diagonal)	290~344 mm(11.42"~13.54")
	Suggested Tablet Size	9"~11"
	Support Max. Weight	Max. 2.5kg (5.51lbs)
	Thickness	7~10.4 mm(0.28"~0.41")
Pipe Support	Suggested Pipe Size	Ø 18~Ø 51 mm (Ø 0.71"~Ø 2.01" )

