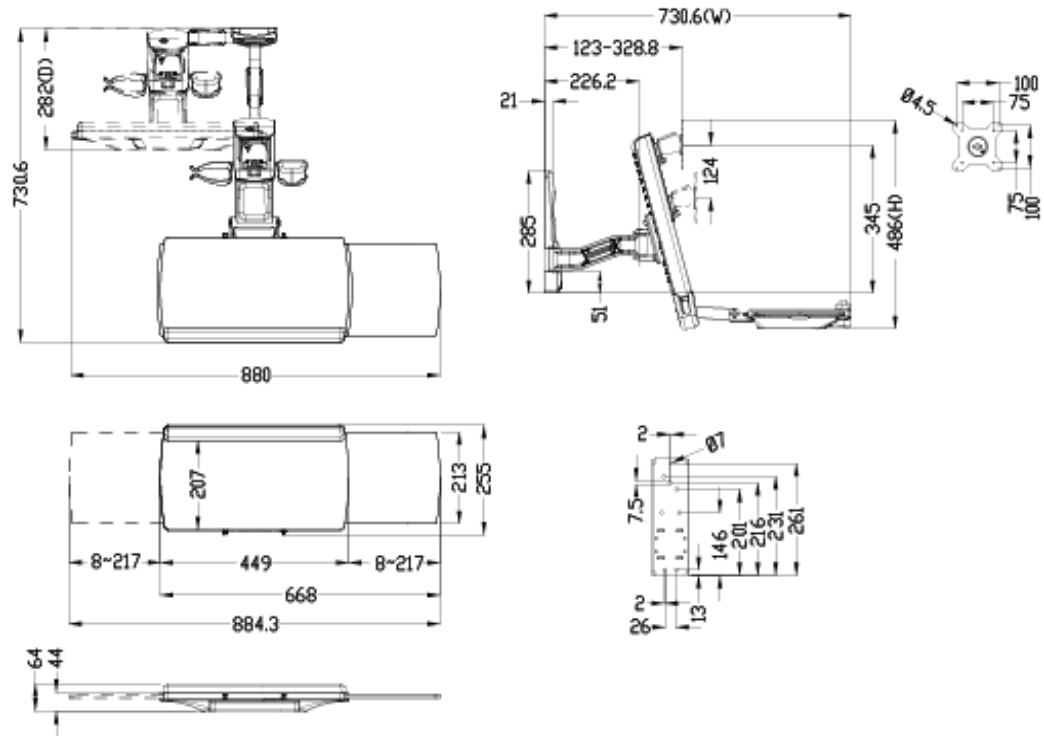




Highgrade
<http://www.highgrade.com.tw>

Model Name: OEW10
Issus Date: 2019/07/22(C)

Complete System		
Net Weight	7.11 kg (15.68lbs)	
Dimension(W*H*D)	730.6 x 486 x 282 mm (28.76" x 19.13" x 11.10")	
Screw Type	M4	
Material	Steel/Plastic/Aluminum	
Display System		
Hinge Module	Swivel(Hinge)	+/-90°
	Tilt(Hinge)	-5° ~ + 35°
	Tilt(Keyboard)	0 ~ 90°
	Pivot	360°
	User Torque Adjust	Available
Display Support	Mounting Pattern	100x100 / 75x75 mm
	Display Type	Singal Monitor
	Panel Size Support	≤ 24"
	Support Weight (Arm)	2~8kg(4.4~17.6lbs)
	Support Weight (Keyboard)	2.5kg(5.5lbs)
Height Adjust	Height Adjustment Range (Display)	124mm(4.88")
	Tension Torque Adjust	Yes
	Tilt(Arm)	N/A
Max.Working Space	449 x 207 mm (17.68" X 8.15") for Keyboard Tray	
Extended Arm Provided	1	
Cable Management	Yes	



Screen	VESA	Tilt	Rotate	Swivel	Cable Management	Height Adjust	Torque Adjust