

H-grade

<http://www.highgrade.com.tw>

Model Name:RLI300

Date:2021/08/19(A)

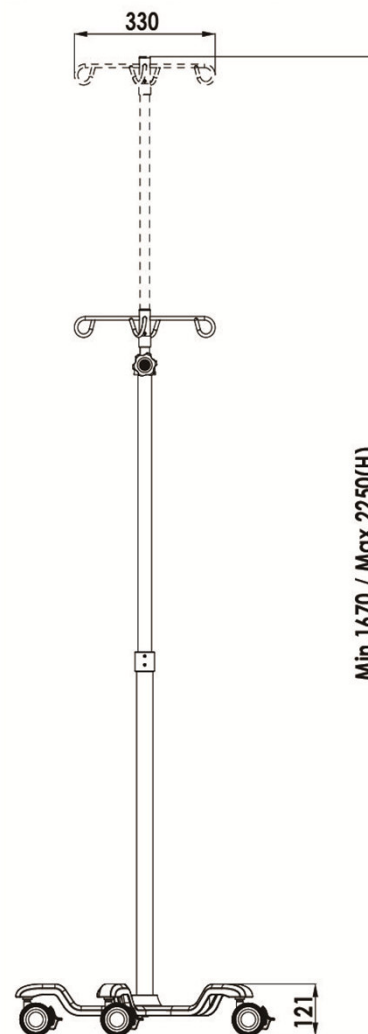
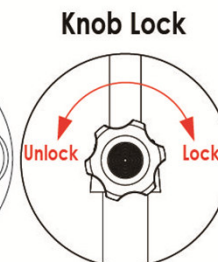
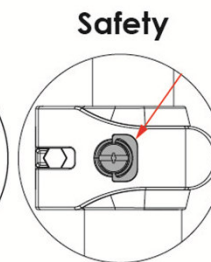
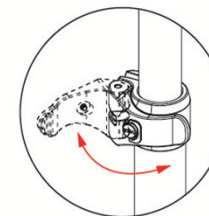
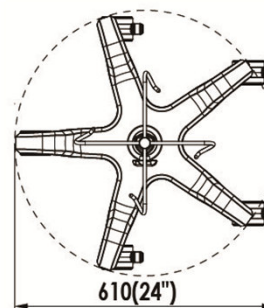


Complete System

Net Weight	5.7 kg (12.56 lbs)	
Dimension(W*D*H)	610 x 610 x 2250 mm (24.01" x 24.01" x 88.58")	
Material	Alumimum Alloy / Plastic / Steel	

Display System

Hook Module	Hook	4 Hooks
	Base Size	24" with 5-Legs
Base Module	Caster Size	3" (5 pcs with brakes)
	Counterweight	No
	Height Adjust	Height Adjustment Range



Min.1670 / Max.2250(H)

