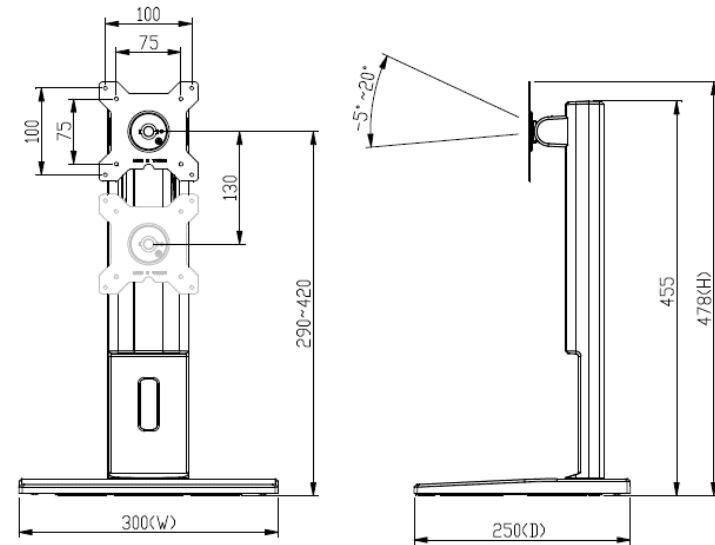
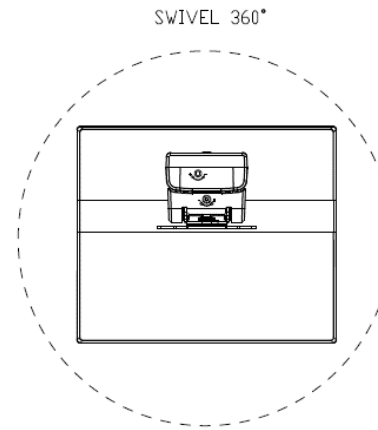


Highgrade
<http://www.highgrade.com.tw>

Model Name:HA770L
Issus Date:2022/06/29(E)

Complete System		
Net Weight	4Kg (8.82lbs)	
Dimension(W*H*D)	300 x 478 x 250 mm (11.81" x 18.82" x 9.84")	
Screw Type	M4	
Material	Steel/Plastic/Aluminum	
Display System		
Hinge Module	Swivel	360°
	Tilt	-5°~ +20°
	Pivot	360°
	User Torque Adjust	Available
Display Support	Mounting Pattern	100x100 / 75x75 mm
	Display Type	Single Monitor
	Panel Size Support	24"-34"
	Support Weight (Range)	4~12Kg(8.82~26.46lbs)
	Thickness	≤8.5cm
	Curved Panel size support	≤32"
	Curvature	≥1500R
Height Adjust	Height Adjustment Range	130mm (5.12")
	Tension Torque Adjust	Yes
Cable Management	YES	



VESA	Tilt	Swivel	Rotate	Cable Management	Height Adjust	Torque Adjust
100x100 75x75(mm)	+20° -5°	360°	360°		130mm	