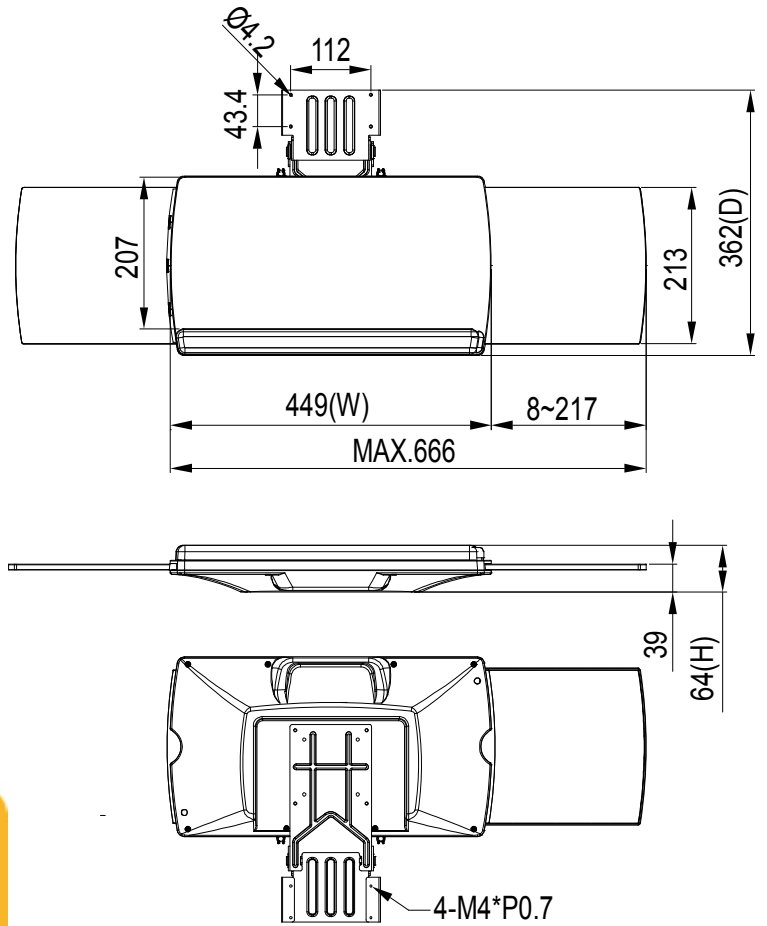


H. grade

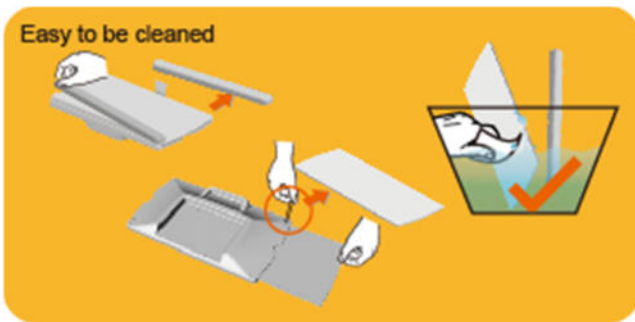
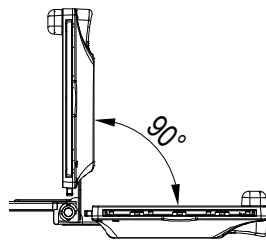
<http://www.highgrade.com.tw>

Model Name:ACK020

Issue Date:2021/07/09(C)



Demo :



| Complete System | |
|------------------------|---|
| Net Weight | 2.38 kg (5.25 lbs) |
| Dimension(W*H*D) | 449 x 64 x 362 mm (17.67" x 2.52" x 14.37") |
| Material | Steel/Plastic |
| Support Max. Weight | 1.5Kg(3.31lbs) |
| Max.Working Space | 449 x 207 mm (17.68" x 8.15") for keyboard tray |