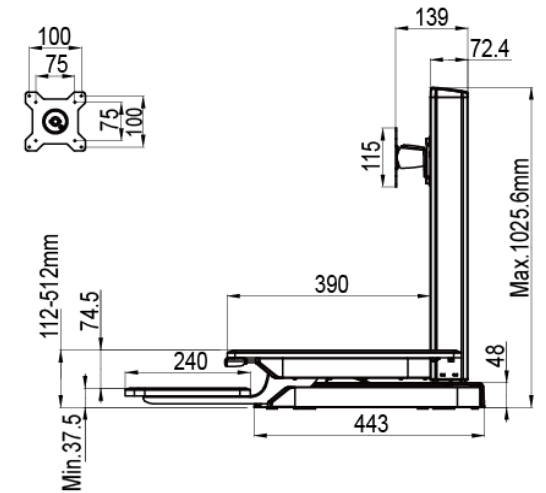
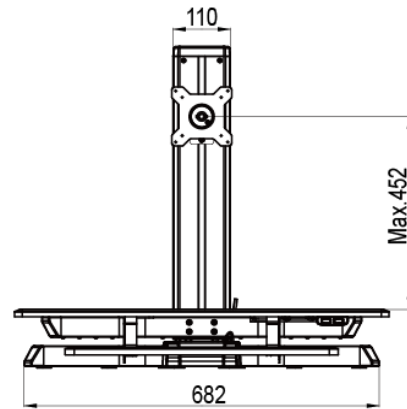
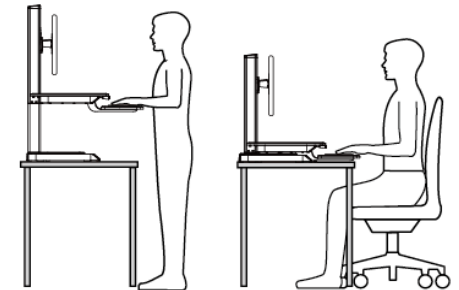
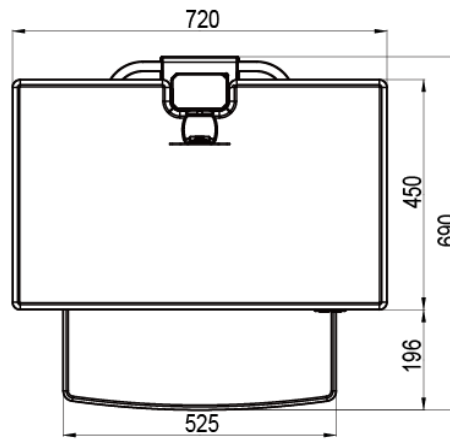
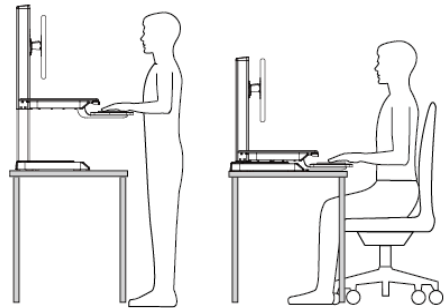


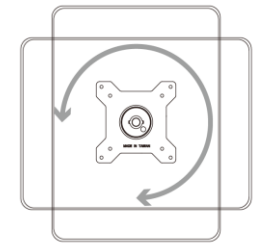
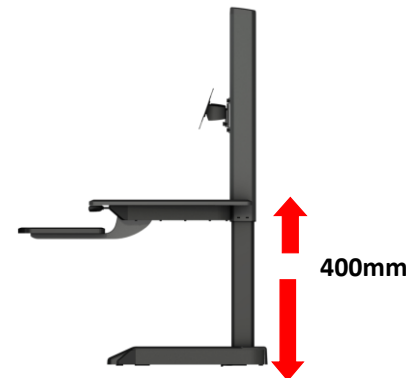


H-grade
<http://www.highgrade.com.tw>

Model Name:WEP72B
Issus Date:2016/01/05(A)



Complete System		
Net Weight	16kg(35.28lbs)	
Dimension(W*D*H)	720x 1025.6 x 690.4 (28.35" x 40.38 x 27.18")	
Material	Steel/Aluminum/Plastic/MDF	
Hinge Module	Tilt(Hinge)	-10°~ +20°
	Pivot	360°
	User Torque Adjust	Available
Support Weight (Max.)	15kg (33.07lbs)	
Height Adjustment(Range)	115mm ~ 515 mm (4.52" ~ 20.27")	
Height Adjustment	400mm (15.75")	
Max.Working Space(Table)	720 x 450mm (28.35"x17.72")	
Max. Effective Dimension(Keyboard Tray)	525 x 240mm (20.66" x 9.44")	
Power System	Input Voltage(Charger)	AC-in 100~240V 50/60 Hz
User Interface	Control Panel	Button (Up / Down)



Rotate 360°